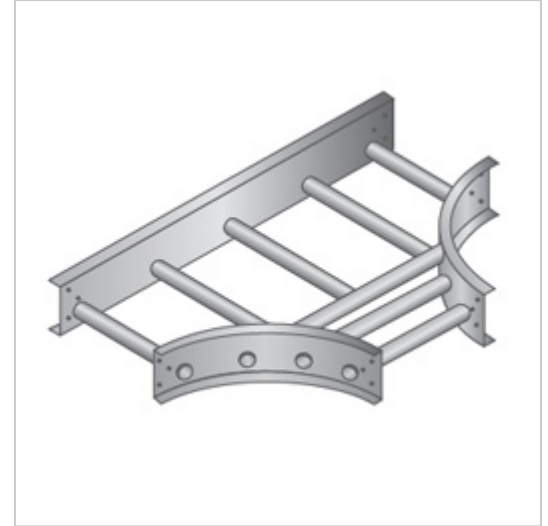


## Product Overview

This junction enables the connection of multiple cable tray sections.

- Each section includes splices and hardware
- Matching cover listed below



## Product Family

SKU	Description	Type	Weight
LT-TJ-06-4D	6" (T-Junction)	Tray	8.00
LT-TJ-09-4D	9" (T-Junction)	Tray	9.00
LT-TJ-12-4D	12" (T-Junction)	Tray	10.00
LT-TJ-18-4D	18" (T-Junction)	Tray	11.35
LT-TJ-24-4D	24" (T-Junction)	Tray	13.00
LT-VTJ-06-A	6" (T-Junction )	Cover	6.00
LT-VTJ-09-A	9" (T-Junction)	Cover	6.50
LT-VTJ-12-A	12" (T-Junction)	Cover	7.00
LT-VTJ-18-A	18" (T-Junction)	Cover	7.60
LT-VTJ-24-A	24" (T-Junction)	Cover	8.00